

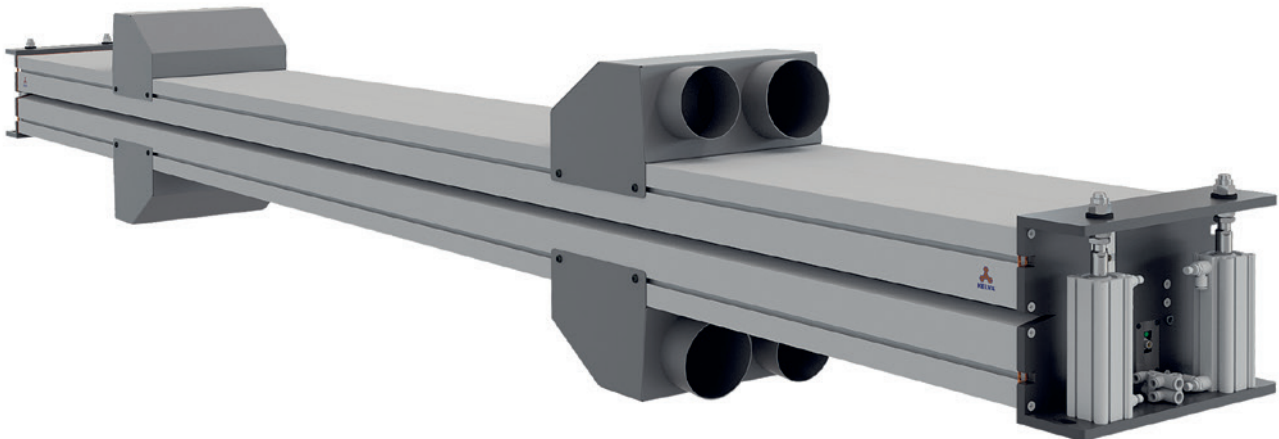
## **KELVA WEB CLEANER TLX** **DOUBLE-SIDED,** **NON-CONTACT WEB CLEANING**

**KELVA Web Cleaner type TLX for double-sided, non-contact web cleaning is suitable for medium to wide web widths. To remove dust and particles from wide webs in an efficient way, the new Kelva TLX features a very powerful airflow of both vacuum and blowing air, as well as integrated antistatic bars.**

Opening and closing of the cleaner is handled by pneumatic cylinders lifting the upper part to allow quick access for web threading and service. Standard lifting height is 100 mm.

The circulating air is connected to the cleaner through high speed connections to minimize pressure drop.

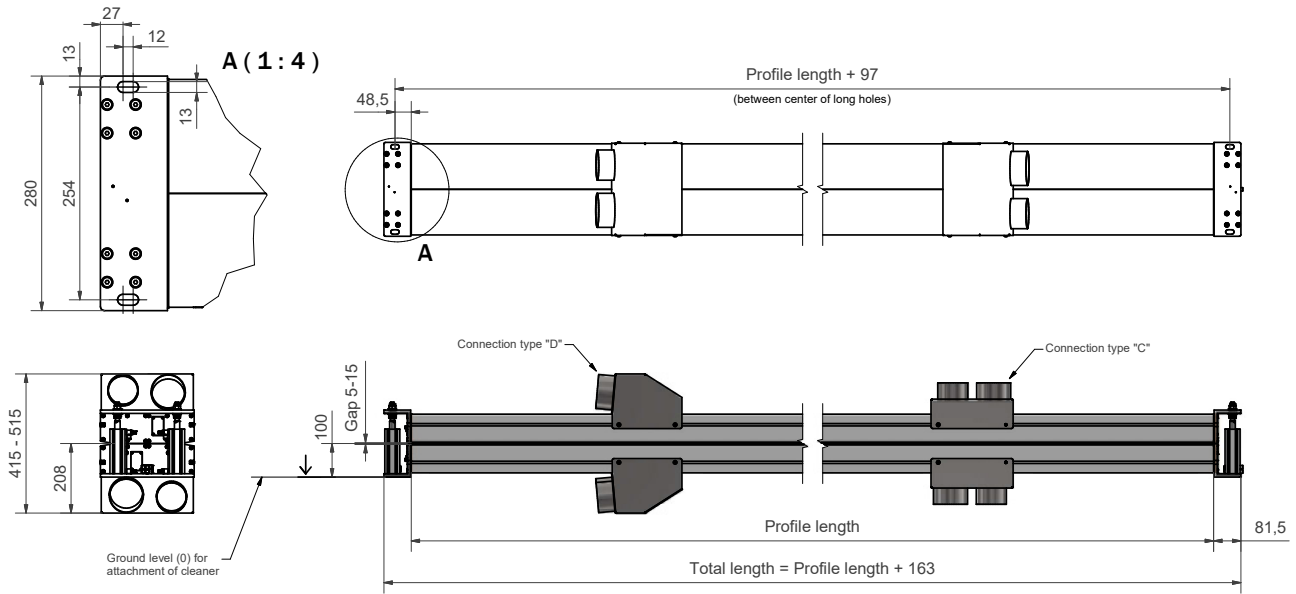
Max profile length (web width) is as standard 2900 mm. Special air connections to allow wider webs are possible. Antistatic bars are mounted in the blowing air profiles where they are protected and stay clean. 3 m supply cable, 24 VDC. 230 V/115 V alternatives are available.



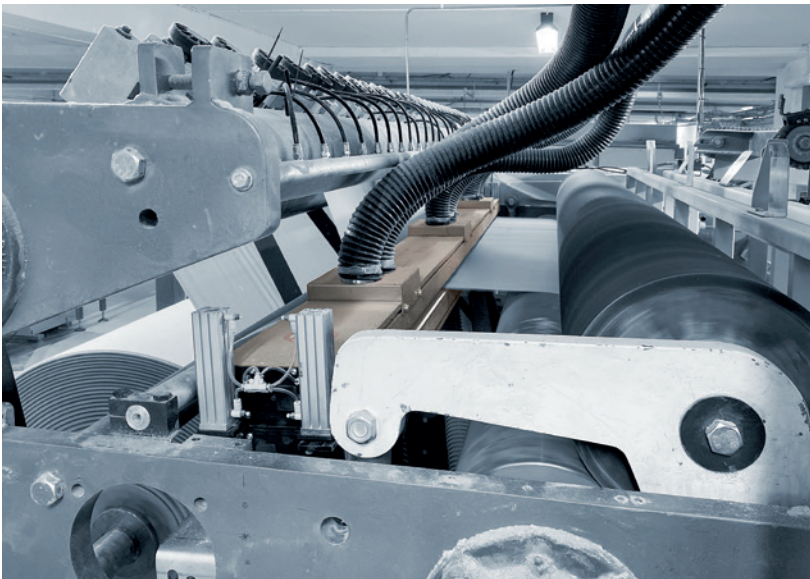
### **Specifications**

Dimensions/sizes	Width 280 mm Height approx. 180 mm and hose connections Length max. 2900 mm standard configuration
Hose dimensions	ø100 mm/ø90 mm
Material	Anodized aluminium/Stainless steel
Controls	Pneumatic cylinders, stroke 100 mm Hand valve or solenoid valve 24 VDC, compressed dry clean air, 5 bar
Power (antistatics)	24 VDC (standard) 115 V/60 Hz or 230 V/50 Hz

## Dimensions



## Application



Web width 2700 mm, tissue converting



### KELVA HEAD OFFICE – SALES SWEDEN

Bryggaregatan 23  
SE-227 36 Lund  
T +46 46 16 07 00  
kelva@kelva.com

### KELVA OFFICE – SALES THE NETHERLANDS

Pampuslaan 155  
NL-1382 JN Weesp  
T +31 627 07 71 77  
kelva@kelva.com

### KELVA OFFICE – SALES GERMANY

Winkelhaiderstrasse 42a  
D-90537 Feucht  
T +49 9128 724 11 19  
kelva@kelva.com

### KELVA OFFICE – SALES SWITZERLAND

Niederhaslistrasse 12  
CH-8157 Dielsdorf  
T +41 44 855 50 00  
kelva@kelva.com

### KELVA OFFICE – SALES INDIA

Nutandeeep, L.G. Corner  
IN-380008 Ahmedabad  
T +91 8487 00 88 24  
kelva@kelva.com